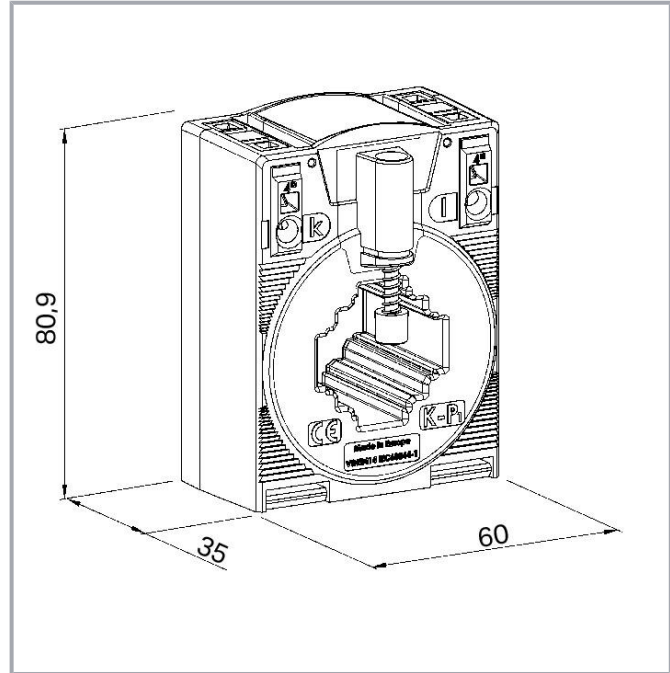
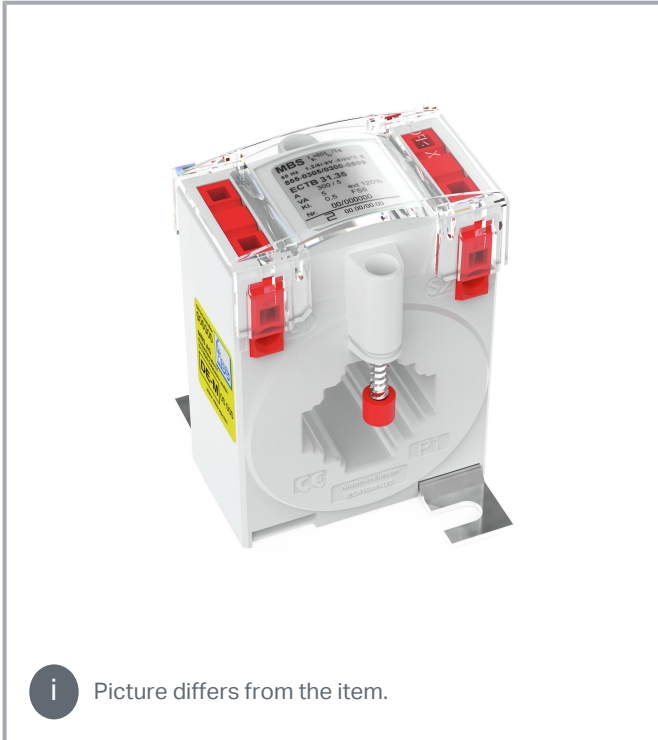


Data sheet | Item number: 855-305/150-209

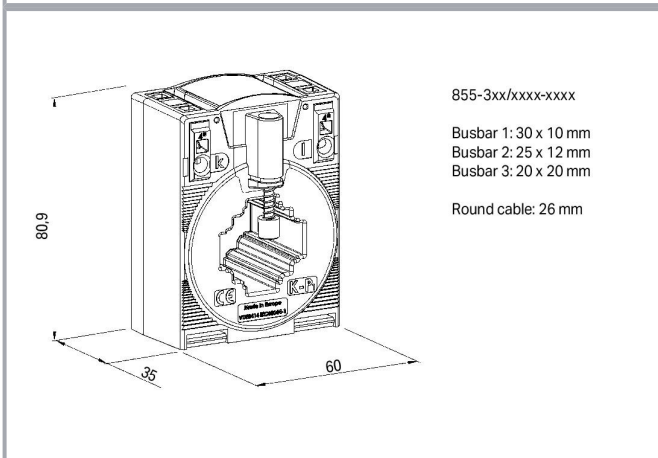
Plug-in current transformer; Primary rated current: 150 A; Secondary rated current: 5 A; Rated power: 2.5 VA; Accuracy class: 0.5; for billing purposes



www.wago.com/855-305_150-209



i Picture differs from the item.



Item description

Kurzbeschreibung:

Aufsteck-Stromwandler für die Verrechnungs-Messung der Serie 855 sind induktive, nach dem Trafo-Prinzip arbeitende, 1-Leiter-Stromwandler. Aufgrund des angewendeten Messprinzips eignen sich Stromwandler dieses Typs zur ausschließlichen Verwendung in Wechselstromnetzen.

Subject to changes. Please also observe the further product documentation!

WAGO Corporation
Germantown, WI 53022
Phone: 1-800-DIN-RAIL (346-7245) | Fax: (262) 255-6222
Email: info.us@wago.com | Web: www.wago.us

Do you have any questions about our products?
We are always happy to take your call at (262) 255-6222 or 1 800-DIN-RAIL.

Die Aufsteck-Stromwandler entsprechen dem Modul D des Konformitätsbewertungsverfahrens und können für Verrechnungszwecke eingesetzt werden

Merkmale:

- Schraubenlose Anschluss technik mit CAGE-CLAMP® -Anschluss
- Verschiedene Montagemöglichkeiten
- Schockfest und rüttelsicher
- Hohe mechanische Haltekräfte
- Hohe Stromfestigkeit
- Ständig mit 120 % des primären Nennstroms überlastbar
- Niederspannungsstromwandler für Betriebsspannungen bis max. 1,2 kV
- Einsatz in 690 V-Netzen
- Zubehör: 879-3040; Energiezähler; mit Push-in CAGE CLAMP® und Hebel; Wandleranschluss (2PCT)

Data**Technical data****Input – current transformer**

Primary rated current	150 A
Rated continuous thermal current I_{cth}	$1.2 \times I_N$ (AC)
Rated short-time thermal current I_{th}	$60 \times I_N / 1 \text{ s}$ (max. 100 kA / 1 s)
Overcurrent limiting factor	FS5 / FS10 (type dependent; see type plate inscription)
Rated frequency	50 ... 60 Hz

Output – current transformer

Secondary rated current	5 A
Rated power S_r	2.5 VA

Measurement error

Accuracy class	0.5
----------------	-----

Safety and protection

Highest voltage for equipment U_m	AC 1.2 kV _{rms}
-------------------------------------	--------------------------

Subject to changes. Please also observe the further product documentation!

Test voltage

Test voltage	AC 6 kV; 50 Hz; 1 min
--------------	-----------------------

Connection data

Connection technology	CAGE CLAMP®
Solid conductor	0.08 ... 4 mm ² / 28 ... 12 AWG
Fine-stranded conductor	0.08 ... 4 mm ² / 28 ... 12 AWG
Strip length	9 ... 10 mm / 0.35 ... 0.39 inch

Physical data

Width	60 mm / 2.362 inch
Height	80.9 mm / 3.185 inch
Depth	52 mm / 2.047 inch

Mechanical data

Mounting type	Closed current transformer Installation on mounting plate Mounting on DIN-rail via DIN-rail adapter Mounting on round cable
---------------	--

Material data

Insulation class	E
Weight	280 g

Environmental requirements

Surrounding air temperature (operation)	-5 ... 50 °C
Surrounding air temperature (storage)	-25 ... 70 °C
Operating altitude (max.)	1000 m

Standards and specifications

Conformity marking	CE
Standards/Specifications	EN 61869-1 EN 61869-2



Subject to changes. Please also observe the further product documentation!

Commercial data


Packaging type	BOX
Country of origin	DE
GTIN	4055144041446
Customs tariff number	8504312000

Optional accessories






Mounting

	Item no.: 855-9900 Carrier rail adapter for plug-in transformers; for 855-3xx/xxxx-xxxx and 855-4xx/xxxx-xxxx	www.wago.com/855-9900
	Item no.: 855-9910 Quick-mount kit	www.wago.com/855-9910

Tools

	Item no.: 210-720 Operating tool; Blade: 3.5 x 0.5 mm; with a partially insulated shaft; multicoloured	www.wago.com/210-720
--	--	--

General accessories

	Item no.: 2857-570/024-005 3-Phase Power Measurement Module; 3x400/690 V/5 A; Modbus RTU; Digital output; Configuration via software; Supply voltage: 24 VDC	www.wago.com/2857-570/024-005
	Item no.: 857-550 JUMPFLEX® signal conditioner; current; 0 ... 1 A AC, 0 ... 5 A DC; configurable	www.wago.com/857-550
	Item no.: 857-551 Current signal conditioner; Current input signal; Current and voltage output signal; Digital output; Configuration via software; Supply voltage: 24 VDC; 6 mm module width	www.wago.com/857-551
	Item no.: 857-569 JUMPFLEX® signal conditioner; power; configurable; with digital output	www.wago.com/857-569
	Item no.: 879-3040 Energy Meter; Transformer Connection (6 A); 3 x 230/400 V; 50 Hz; MID; Modbus - M-Bus; 2 x interface; 2 DU	www.wago.com/879-3040

Downloads

Documentation

Bid Text

855-305/150-209 doc - Datei	Oct 5, 2020	docx 17.9 kB	Download
855-305/150-209	Oct 5, 2020	xml	Download

Subject to changes. Please also observe the further product documentation!

WAGO Corporation
Germantown, WI 53022
Phone: 1-800-DIN-RAIL (346-7245) | Fax: (262) 255-6222
Email: info.us@wago.com | Web: www.wago.us

Do you have any questions about our products?
We are always happy to take your call at (262) 255-6222 or 1 800-DIN-RAIL.

Environmental Product Compliance

Compliance Search

Environmental Product Compliance 855-305/150-209

[URL](#)

[Download](#)

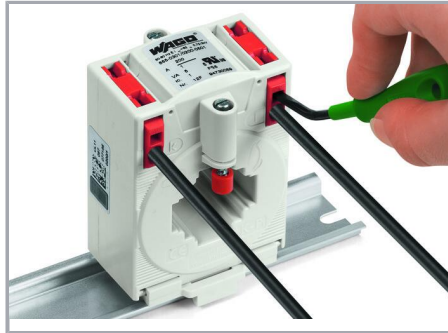
Plug-in current transformer; Primary rated current: 150 A; Secondary rated current: 5 A; Rated power: 2.5 VA; Accuracy class: 0.5; for billing purposes

Installation Notes

Conductor termination

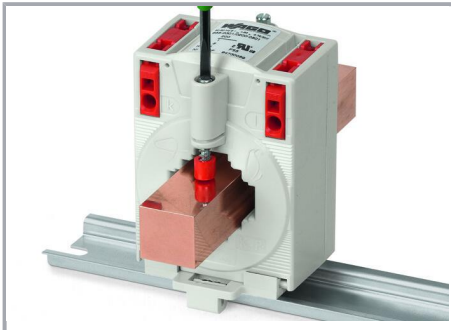


Conductor termination – screwdriver actuation perpendicular to conductor entry

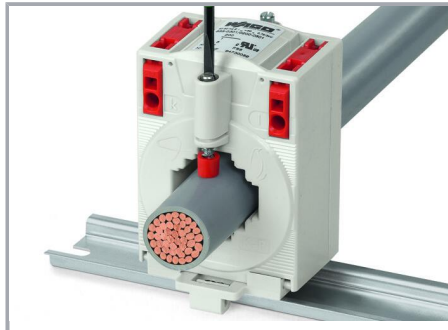


Conductor termination – screwdriver actuation parallel to conductor entry

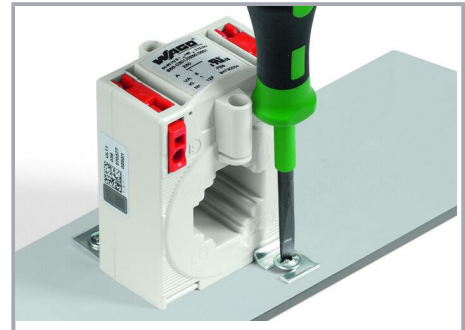
Installation



Installation on copper current bar



Installation on round cable



Installation on mounting plate

Subject to changes. Please also observe the further product documentation!

WAGO Corporation
Germantown, WI 53022
Phone: 1-800-DIN-RAIL (346-7245) | Fax: (262) 255-6222
Email: info.us@wago.com | Web: www.wago.us

Do you have any questions about our products?
We are always happy to take your call at (262) 255-6222 or 1 800-DIN-RAIL.



Mounting on DIN-rail via 855-9900 DIN-Rail Adapter



Installation via 855-9910 Quick-Mount Kit

Subject to changes. Please also observe the further product documentation!

WAGO Corporation
Germantown, WI 53022
Phone: 1-800-DIN-RAIL (346-7245) | Fax: (262) 255-6222
Email: info.us@wago.com | Web: www.wago.us

Do you have any questions about our products?
We are always happy to take your call at (262) 255-6222 or 1 800-DIN-RAIL.